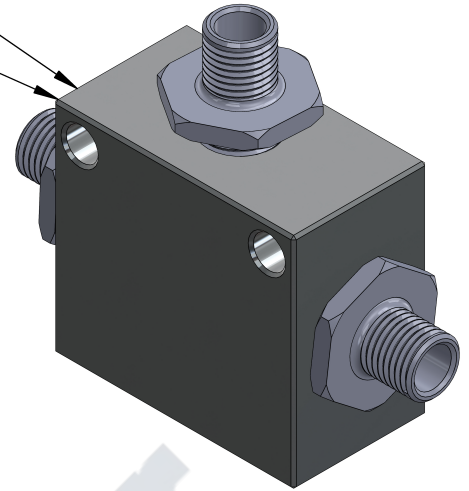
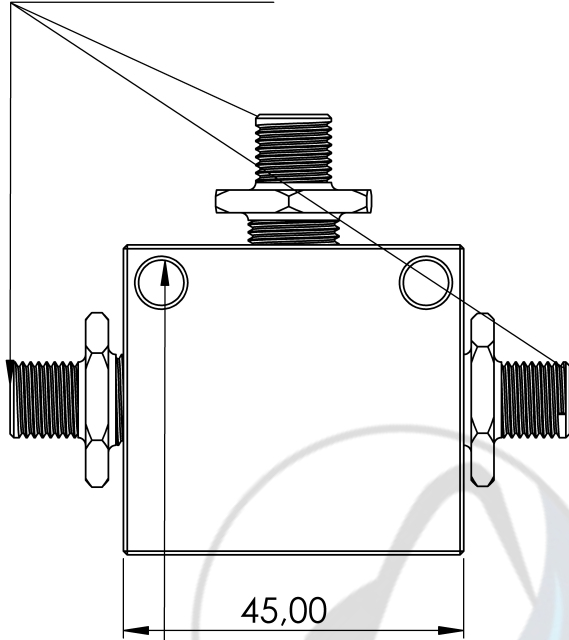


3-WAY CHECK VALVE

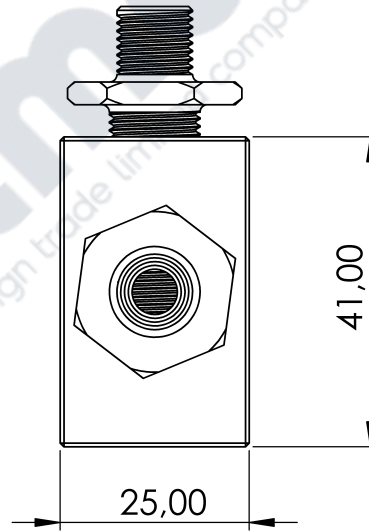
POS.NO.40
3 WAY CHECK VALVE



1/2" MALE INLET




INSTALLATION HOLE



Use in piping system usually for separate cylinders to groups and control distribution of CO2 gas to the areas.

For installation please see your project drawings which given by ALMAR. Install device properly as shown as your drawings.

NOTE: ALL DIMENSIONS ARE GIVEN AS MILLIMETERS

DRAWING NO:	POS. NO. 40	PROUDUCT NO: AL20-40078	DATASHEET: AL20-40078Rev00	PAGE A4
DESIGNED BY: ALİ ARMAĞAN	CHEKED BY: ÇAĞLAR LATİFOĞLU	APPROVED BY: ERDİNÇ LATİFOĞLU	DATE: 23/10/2020	SCALE: 1:3
		PROJECT / PROUDUCT: 3-WAY CHECK VALVE		
		WEIGHT: -	METARIAL: -	REVISION: DEC20-Rev00