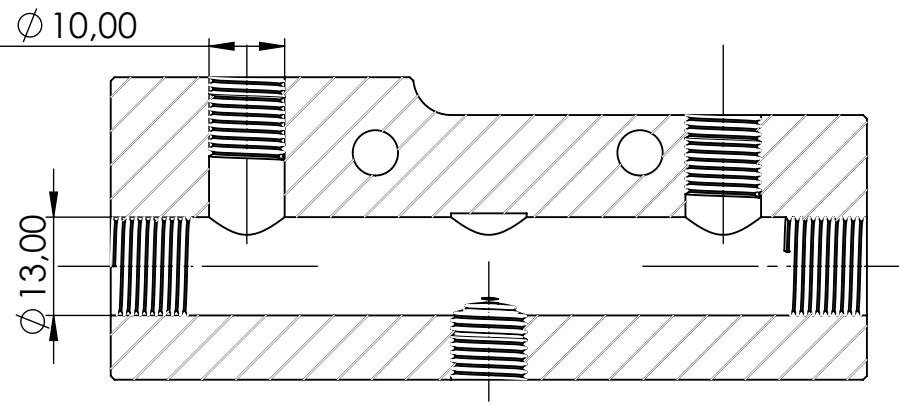
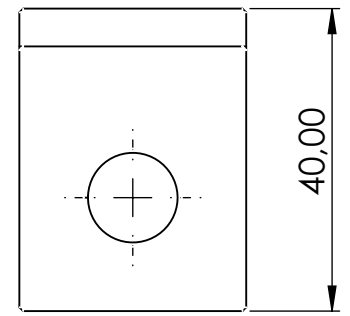
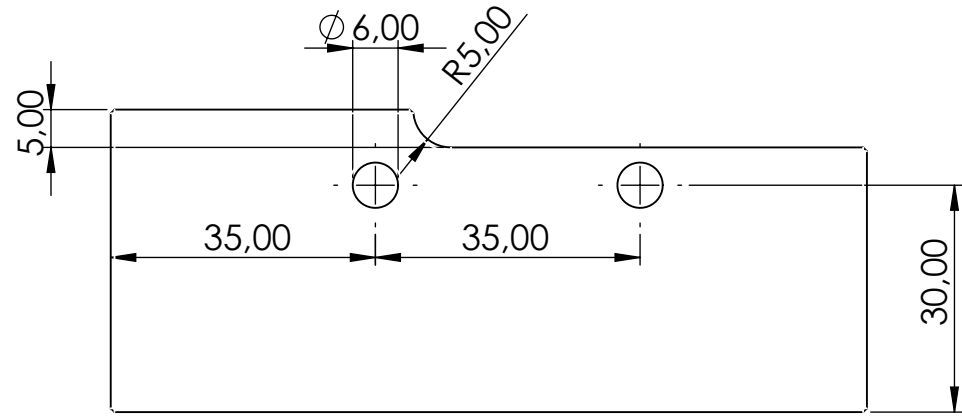
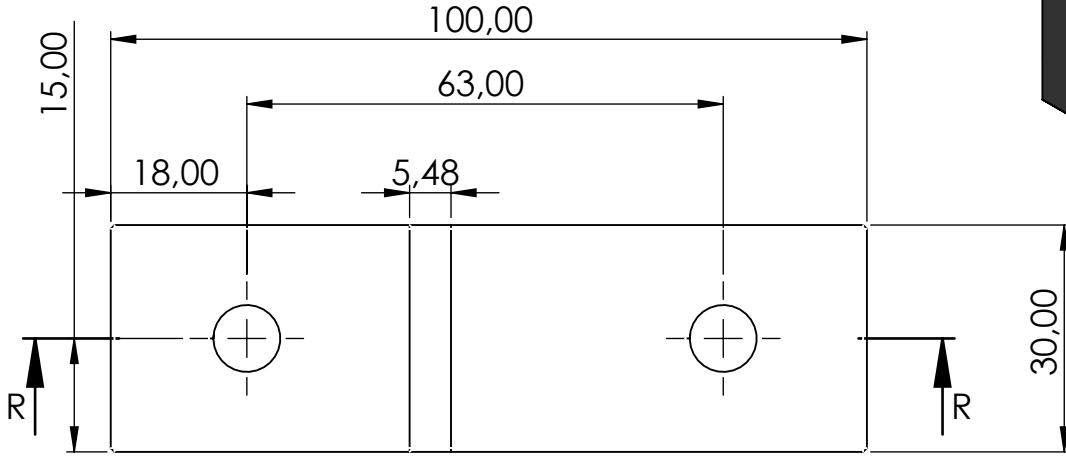
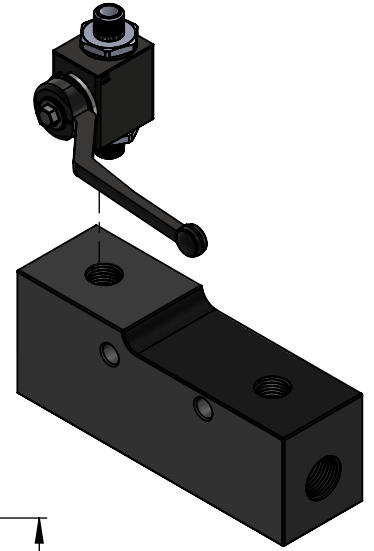



# 2/2-1 MANIFOLD



SECTION R-R

NOTE: ALL DIMENSIONS ARE GIVEN AS MILLIMETERS

DRAWING NO:	POS. NO. 5_1	PROUDUCT NO: AL20-40008	DATASHEET: AL20-40008 Rev00	PAGE A4
DESIGNED BY: ALİ ARMAĞAN	CHEKED BY: ÇAĞLAR LATİFOĞLU	APPROVED BY: ERDİNÇ LATİFOĞLU	DATE: 11/09/2020	SCALE: 1:3
		PROJECT / PROUDUCT: 2/2-1 MANIFOLD		
		WEIGHT: -	METARIAL: -	REVISION: Sept20-Rev00
				SHEET 1