



## 1. GENERAL & APPLICATION

Hoses use in system for distrubution of CO<sub>2</sub> gas. In CO<sub>2</sub> system 12 different hose existist. 2 type metarial use at hoses, chrome and steel. (For order or information please see table 1.1 CO<sub>2</sub> Hose Types).

AL20-40024 Uses in release station, distrubutes gas to the system from pilot cylinders.

AL20-40025/AL20-40026 Makes connection between manifold and CO<sub>2</sub> cylinders.

AL20-40027/AL20-40028 Makes connection between CO<sub>2</sub> cylinders.

AL20-40071 comes with pneumatic cylinder. Makes connection between pneumatic cylinder to system.



MATERIAL	CO <sub>2</sub> HOSE TYPES		
	PROUDUCT NO.	PROUDUCT NAME	DESCRIPTION
STEEL	AL20-40024S	RELEASE STATION HOSE	STEEL ¼" 300mm
	AL20-40025S	HIGH PRESSURE HOSE	STEEL ½" 400mm
	AL20-40026S	HIGH PRESSURE HOSE	STEEL ½" 700mm
	AL20-40027S	3/8" PILOT HOSE	STEEL ¼" 600mm
	AL20-40028S	3/8" PILOT HOSE	STEEL ¼" 300mm
	AL20-40071S	PNEUMATIC CYLINDER HOSE	STEEL ¼" 300mm
	CHROME (STAINLESS)	AL20-40024C	RELEASE STATION HOSE
AL20-40025C		HIGH PRESSURE HOSE	CHROME(STAINLESS) ½" 400mm
AL20-40026C		HIGH PRESSURE HOSE	CHROME(STAINLESS) ½" 700mm
AL20-40027C		3/8" PILOT HOSE	CHROME(STAINLESS) ¼" 600mm
AL20-40028C		3/8" PILOT HOSE	CHROME(STAINLESS) ¼" 300mm
AL20-40071C		PNEUMATIC CYLINDER HOSE	CHROME(STAINLESS) ¼" 300mm

Table 1.1 CO<sub>2</sub> hose types.



## **2. INSTALLATION**

### **A. CO<sub>2</sub> PILOT HOSE**

Use for open valve automatically, with CO<sub>2</sub> pilot pressure, install pilot hose to between each CO<sub>2</sub> cylinders.

Available in two different sizes, hose size may change depend to the project.

Before installation please see your project drawings that given by almar, and install properly..

Between CO<sub>2</sub> pilot hose's thread and cylinder's valve, use PTFE tape for sealing before tighten.

### **B. CO<sub>2</sub> HIGH PRESSURE HOSE**

CO<sub>2</sub> high pressure hose uses for distribution of CO<sub>2</sub> gas to the system. Available in two different sizes, hose size may change depend to the project.

Before fasten CO<sub>2</sub> high pressure hose, see your project drawings that given by ALMAR and install properly.

Between CO<sub>2</sub> pilot hose's thread and cylinder's valve, use washer that given by ALMAR.

Note: Each system may have different components depends to the project. For best please see your individual drawings.

### **C. RELEASE STATION HOSE**

Comes assembled in release station, no requirements.

### **D. PNEUMATIC CYLINDER HOSE**

Comes assembled in pneumatic cylinder, no requirements.

## **3. MAINTANANCE**

If any hose are found to be in a poor condition, (rusty, damaged, etc.), please contact manufacturer.

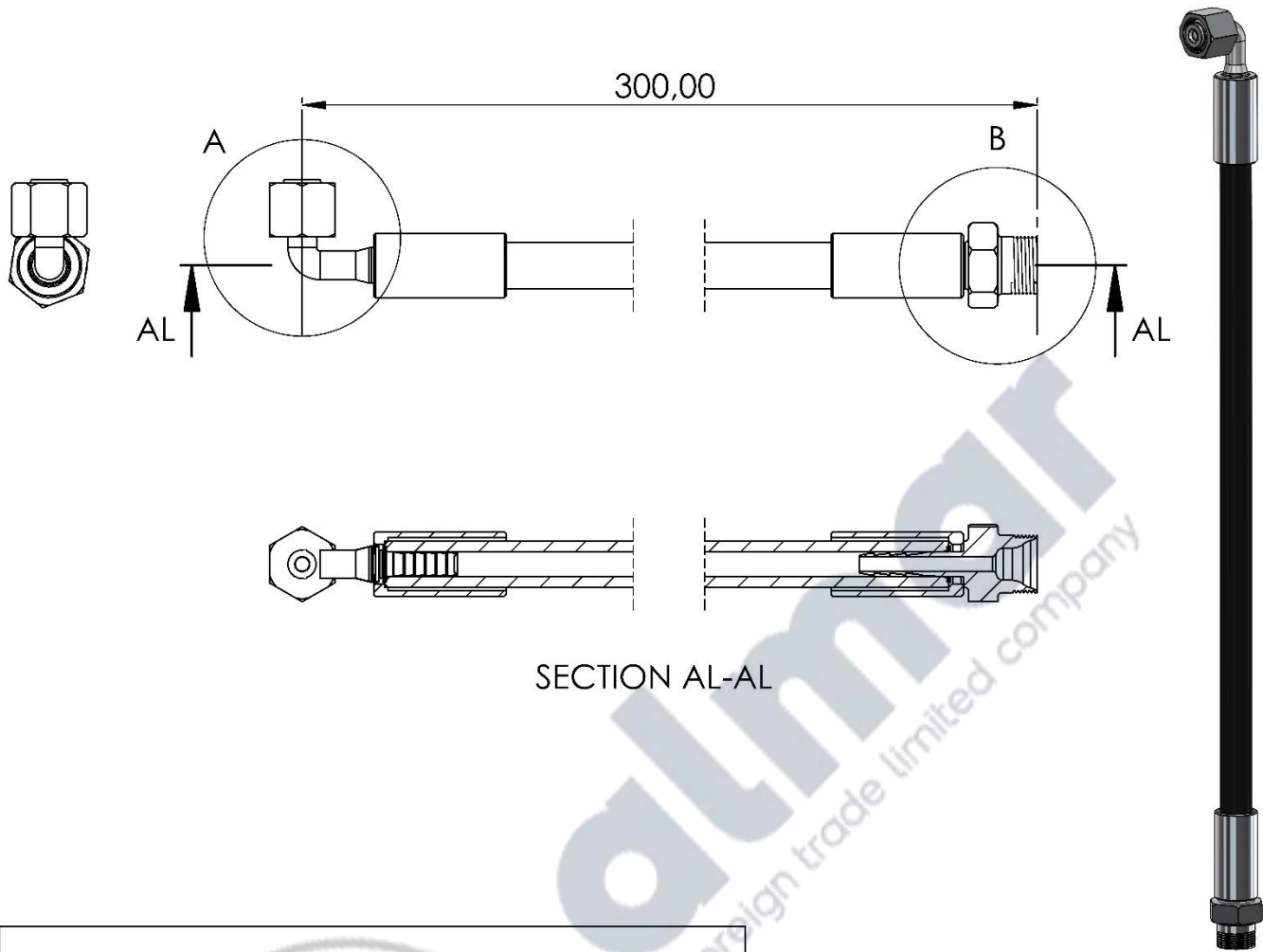
CO<sub>2</sub> High pressure hoses must be renew every 10 years. Other types of hoses may renew in every 10 years as recomended.

Full maintenance should be performed by persons specially trained in the maintenance of such systems, e.g. manufacturer or recognised service company.

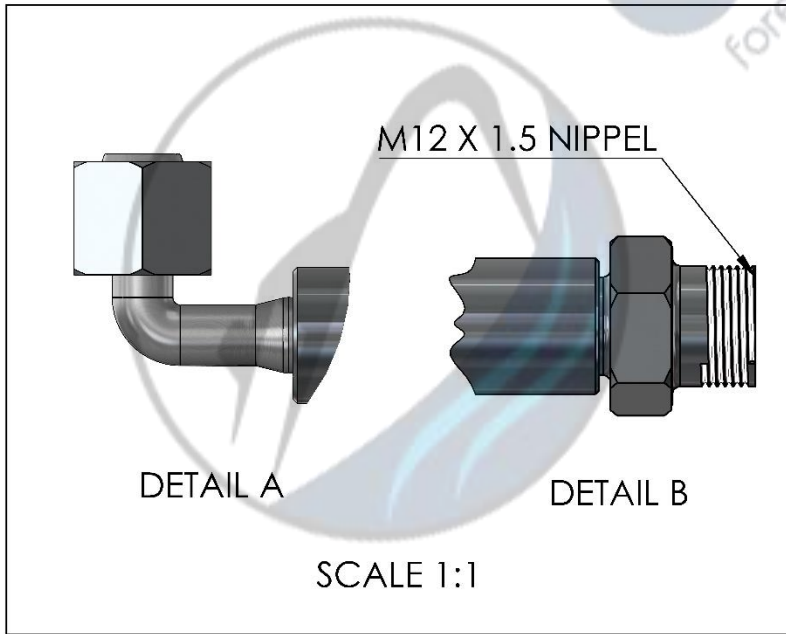
## **4. TECHNICAL DRAWINGS**

Please see following pages for detailed technical drawings.

# 300mm RELEASE STATION HOSE



SECTION AL-AL



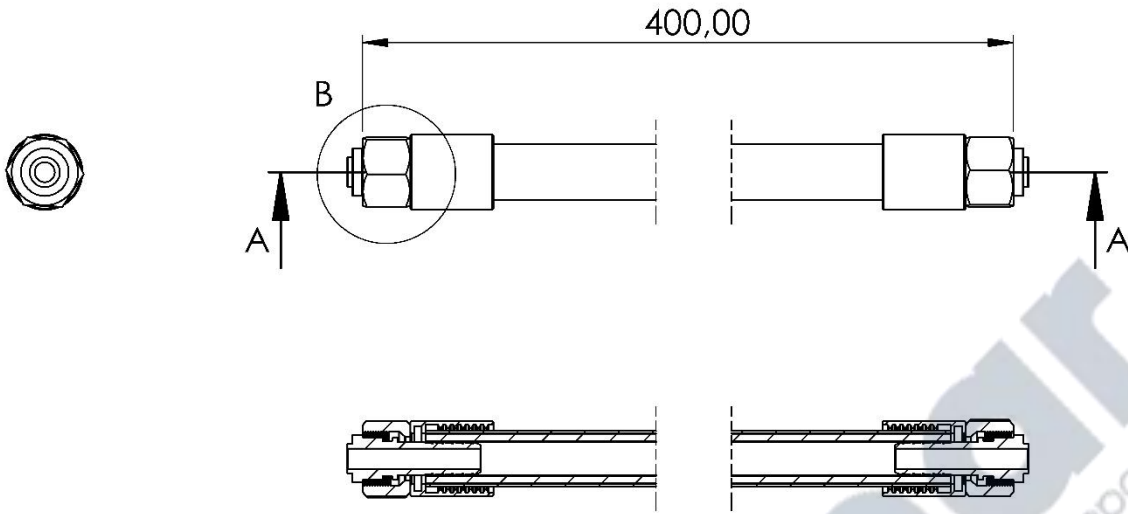
AL20-40024 HOSE	
TYPE	1SN EN 853
MAINTANANCE	WITH COUPLINGS
NOMINAL DIAMETER	DN6
HOSE SIZE	1/4"
MAX WORKING PRESSURE	225 BAR
TEST WITH FITTINGS	150 BAR
TEMPURATURE RANGE	-40°C / +100°C

**COMMENT:** 300mm Flexible hose used at release station, Hose makes connection between cylinder and 2/2-1 MANIFOLD in release station.

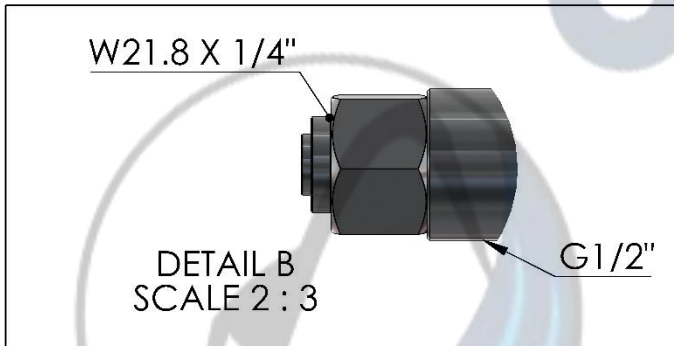
**NOTE:** ALL DIMENSIONS ARE GIVEN AS MILLIMETERS

DRAWING NO:	POS. NO. 26A	PROODUCT NO: AL20-40024	DATASHHEET: AL20-40024 Rev00	PAGE A4
DESIGNED BY: ALİ ARMAĞAN	CHEKED BY: ÇAĞLAR LATİFOĞLU	APPROVED BY: ERDİNÇ LATİFOĞLU	DATE: 18/09/2020	SCALE: -
		PROJECT / PROODUCT: 300mm Release Station Hose		
		WEIGHT: -	METARIAL: -	REVISION: Sep20-Rev00

# 400mm HIGH PRESSURE(HP) HOSE



SECTION A-A  
SCALE 1 : 3

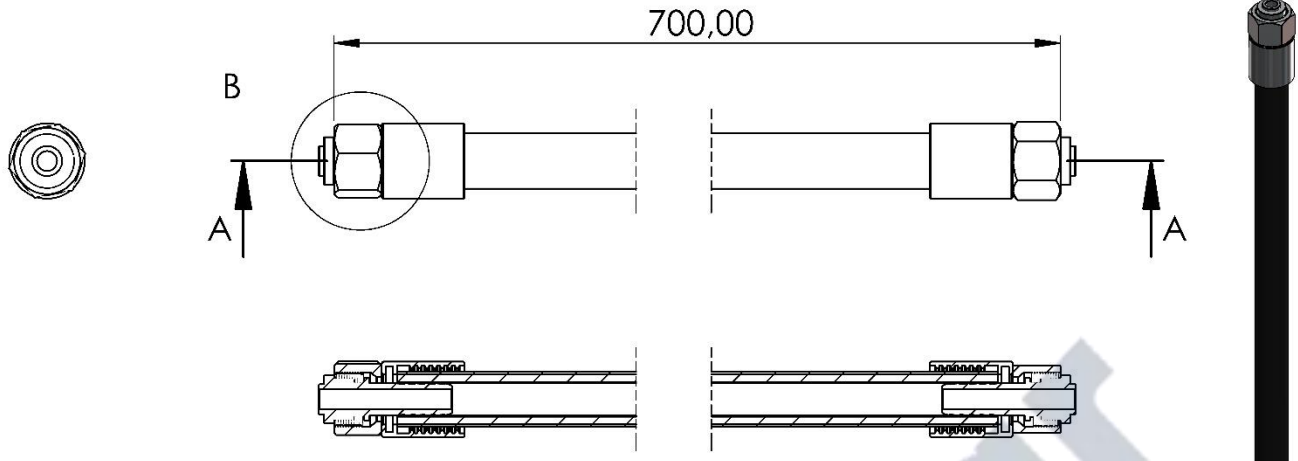


**COMMENT:** 400mm HIGH PRESSURE hose for connection between CO2 cylinders and manifold.  
**NOTE:** ALL DIMENSIONS ARE GIVEN AS MILLIMETERS

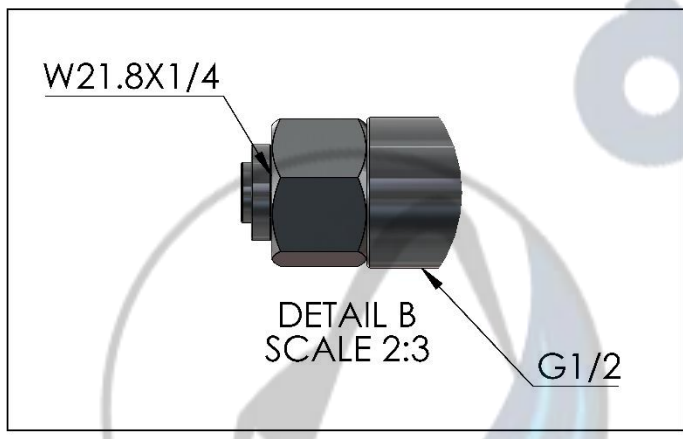
AL20-40025 HIGH PRESSURE HOSE	
TYPE	2SN
MAINTANANCE	WITH COUPLIGS
NOMINAL DIAMETER	DN12
HOSE SIZE	1/2"
MAX WORKING PRESSURE	275 BAR
TEST WITH FITTINGS	150 BAR
TEMPURATURE RANGE	-40°C / +100°C

DRAWING NO:	POS. NO. 26B	PROUDUCT NO: AL20-40025	DATASHEET: AL20-40024 Rev00	PAGE A4
DESIGNED BY: ALİ ARMAĞAN	CHEKED BY: ÇAĞLAR LATİFOĞLU	APPROVED BY: ERDİNÇ LATİFOĞLU	DATE: 18/09/2020	SCALE: 1:3
		PROJECT / PROUDUCT: 400mm HIGH PRESSURE HOSE		
WEIGHT: -		METARIAL: -	REVISION: Sept20-Rev00	SHEET 1

# 700mm HIGH PRESSURE (HP) HOSE




SECTION A-A  
SCALE 1 : 3

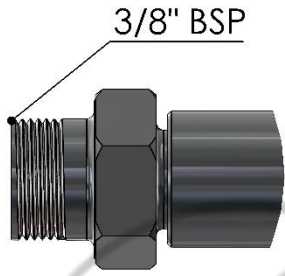
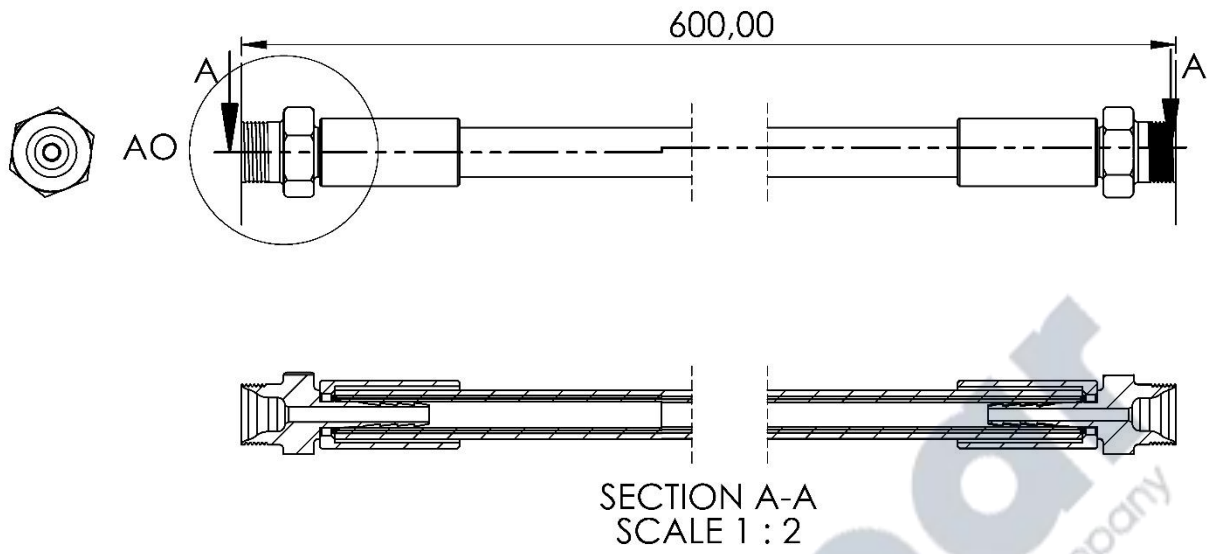


AL20-40026 HIGH PRESSURE HOSE	
TYPE	2SN
MAINTANANCE	WITH COUPLIGS
NOMINAL DIAMETER	DN12
HOSE SIZE	1/2"
MAX WORKING PRESSURE	275 BAR
TEST WITH FITTINGS	150 BAR
TEMPURATURE RANGE	-40°C / +100°C

**COMMENT:** Connection between manifold and CO2 cylinders.  
**NOTE:** ALL DIMENSIONS ARE GIVEN AS MILLIMETERS

DRAWING NO:	POS. NO. 26C	PROODUCT NO: AL20-40026	DATASHEET: AL20-40024 Rev00	PAGE A4
DESIGNED BY: ALİ ARMAĞAN	CHEKED BY: ÇAĞLAR LATİFOĞLU	APPROVED BY: ERDİNÇ LATİFOĞLU	DATE: 18/09/2020	SCALE: 1:3
		PROJECT / PROODUCT: 700 mm HIGH PRESSURE HOSE		
WEIGHT: -		METARIAL: -		REVISION: Sep20-Rev00
				SHEET 1

# 600mm PILOT HOSE



DETAIL AO  
SCALE 1 : 1

## AL20-40027 PILOT HOSE

TYPE	ISN EN 853
MAINTANANCE	WITH COUPLINGS
NOMINAL DIAMETER	DN6
HOSE SIZE	1/4"
MAX WORKING PRESSURE	225 BAR
TEST WITH FITTINGS	150 BAR
TEMPURATURE RANGE	-40°C / +100°C

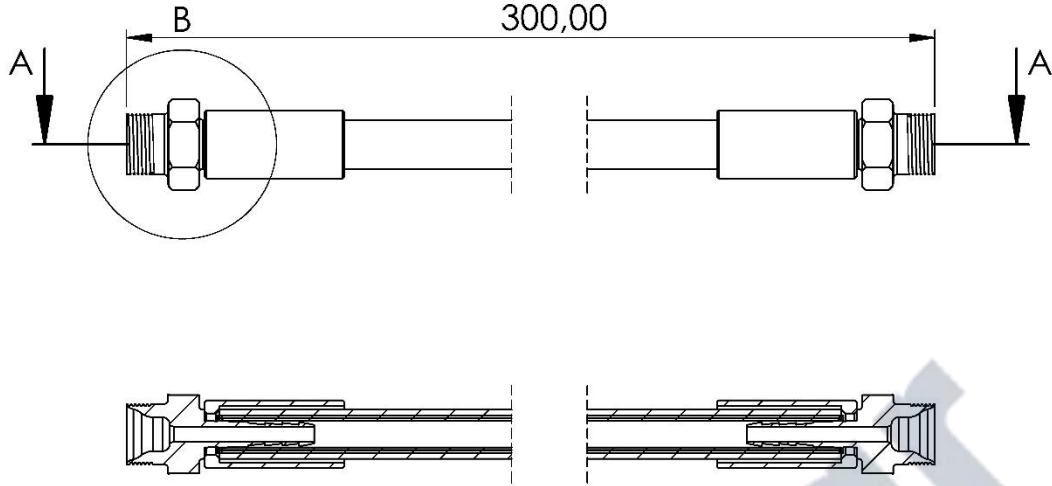
**COMMENT:** 600mm connection between CO2 cylinders.

**NOTE:** ALL DIMENSIONS ARE GIVEN AS MILLIMETERS

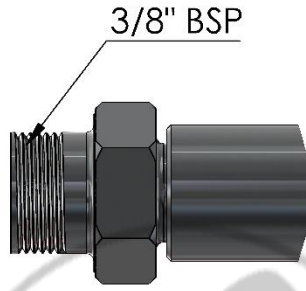
DRAWING NO:	POS. NO. 26D	PROUDUCT NO: AL20-40027	DATASHEET: AL20-40024 Rev00	PAGE: A4
DESIGNED BY: ALİ ARMAĞAN	CHEKED BY: ÇAĞLAR LATİFOĞLU	APPROVED BY: ERDİNÇ LATİFOĞLU	DATE: 18/09/2020	SCALE: 1:2
PROJECT / PROUDUCT: 600mm Flexible Hose				
WEIGHT: -		METARIAL: -		REVISION: Sep20-Rev00
				SHEET 1



# 300mm PILOT HOSE



SECTION A-A  
SCALE 1 : 2



DEYAIL B  
SCALE 1 : 1

## AL20-40028 PILOT HOSE

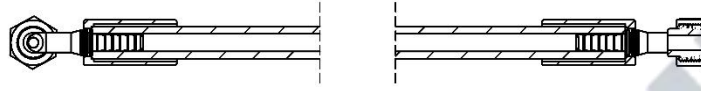
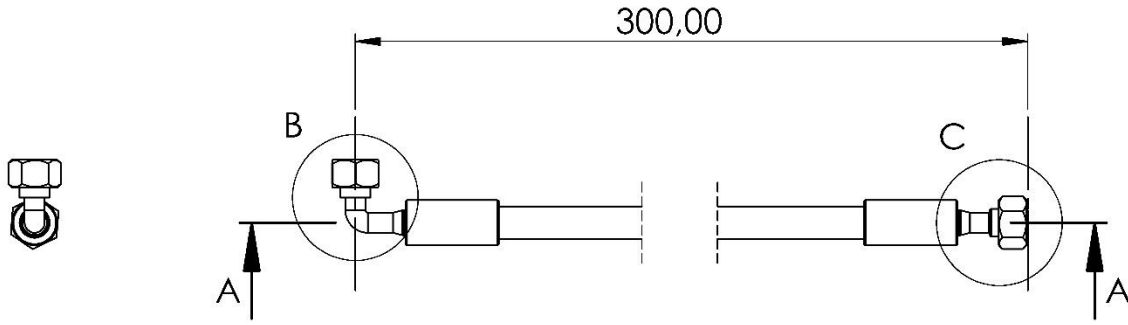
TYPE	1SN EN 853
MAINTANANCE	WITH COUPLINGS
NOMINAL DIAMETER	DN6
HOSE SIZE	1/4"
MAX WORKING PRESSURE	225 BAR
TEST WITH FITTINGS	150 BAR
TEMPURATURE RANGE	-40°C / +100°C

**COMMENT:**300mm connection between CO2 cylinders.

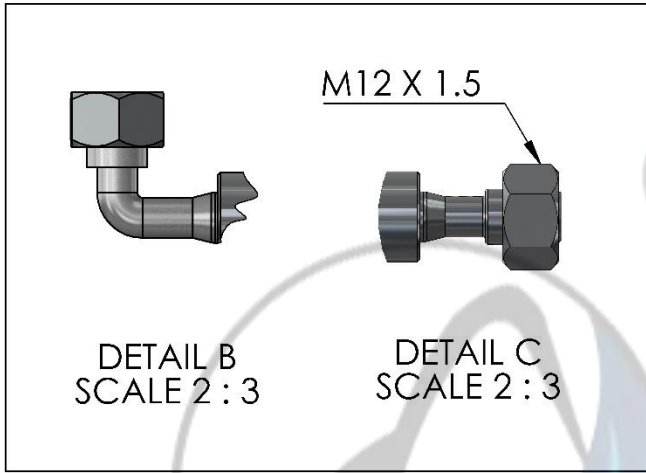
**NOTE:** ALL DIMENSIONS ARE GIVEN AS MILLIMETERS

DRAWING NO:	POS. NO. 26E	PROUODUCT NO: AL20-40028	DATASHEET: AL20-40024 Rev00	PAGE: A4
DESIGNED BY: ALİ ARMAĞAN	CHEKED BY: ÇAĞLAR LATİFOĞLU	APPROVED BY: ERDİNÇ LATİFOĞLU	DATE: 18/09/2020	SCALE: 1:2
		PROJECT / PROUODUCT: 300mm Pilot Hose		
WEIGHT: -		METARIAL: -	REVISION: Sep20-Rev00	SHEET 1

# 300mm PNEUMATIC CYLINDER HOSE




SECTION A-A  
SCALE 1 : 3



AL20-40071 HOSE	
TYPE	ISN EN 853
MAINTANANCE	WITH COUPLINGS
NOMINAL DIAMETER	DN6
HOSE SIZE	1/4"
MAX WORKING PRESSURE	225 BAR
TEST WITH FITTINGS	150 BAR
TEMPURATURE RANGE	-40°C / +100°C

**COMMENT:** 300mm Flexible hose used at pneumatic cylinder to the system  
**NOTE:** ALL DIMENSIONS ARE GIVEN AS MILLIMETERS

DRAWING NO:	POS. NO. 43_1	PROUODUCT NO: AL20-40071	DATASHEET: AL20-40024Rev00	PAGE A4
DESIGNED BY: ALİ ARMAĞAN	CHEKED BY: ÇAĞLAR LATİFOĞLU	APPROVED BY: ERDİNÇ LATİFOĞLU	DATE: 18/09/2020	SCALE: 1:3
		PROJECT / PROUODUCT: Pneumatic Cylinder Hose		
WEIGHT: -		METARIAL: -		REVISION: Sept20-Rev00
				SHEET 1