



## 1. APPLICATION

Used for measuring liquid and gases which are suitable to copper alloys where no high accuracy is needed.

Pressure gauges Fig.1.1 are not and can not be used as safety equipment.

AL20-40054 Pressure gauge(0-100 bar) is found in Release box(AL20-40000), assembled on manifold billet(AL20-40008). You may see pressure level of pilot hoses on that gauge.

For more detail please see table 1.1 General Information.



Figure 1.1

GENERAL INFORMATION	
OPERATING PRESSURE	Must not exceed %75 of full scale
TYPE	40 [mm] / 100 bar
PROTECTION RATE	IP 41
OVER PRESSURE LIMIT	≤ 40 bar PN x 125
SCALE UNIT	bar / psi
HOSE SIZE	1/8"

Table 1.1 general information of 0-100 bar Pressure gauge

## 2. INSTALLATION

Pressure gauge comes assembled on release station, For any other possible situations please read below.

Be sure the pressure gauge is not damaged.

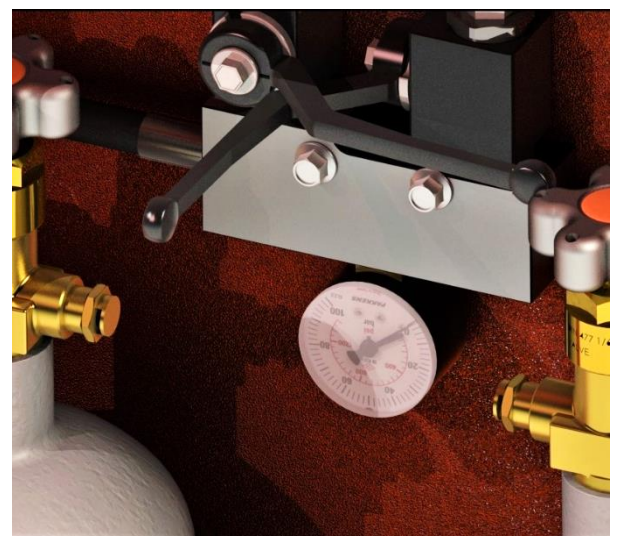
End user is responsible for applying all safety precautions.

Shall be mounted as upright, if otherwise not specified.

Do not tighten by hand. Never spin by holding casing.

Use a spanner while mounting/dismounting.

Please see fig.2.1 for sample of assembled pressure gauge.





### **3. MAINTANANCE**

If pressure gauge is found to be in a poor condition, (rusty, damaged, etc.), please contact manufacturer or recognised service company.

Annual inspections it is recommended that this is performed by persons specially trained in the maintenance of such systems, e.g. manufacturer or recognised service company.

Full maintenance should be performed by persons specially trained in the maintenance of such systems, e.g. manufacturer or recognised service company.

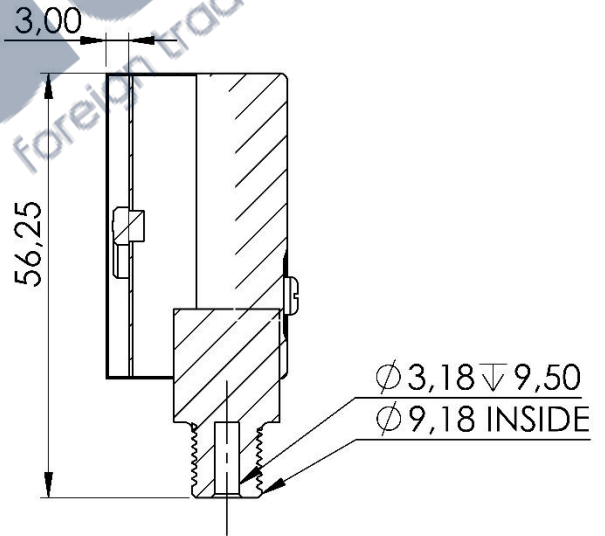
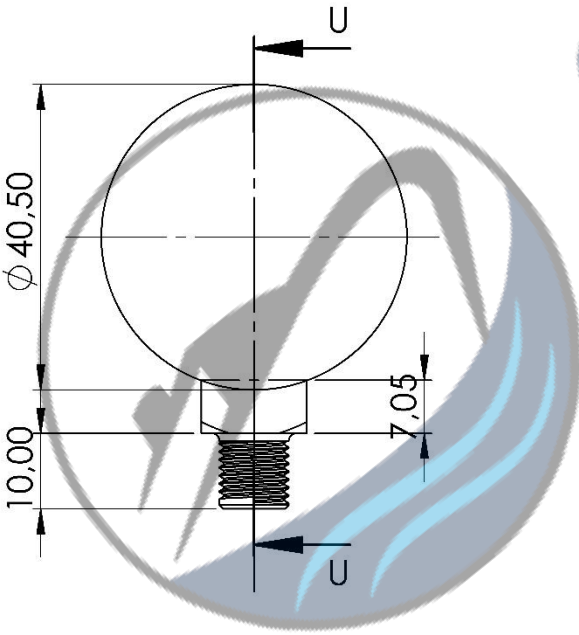
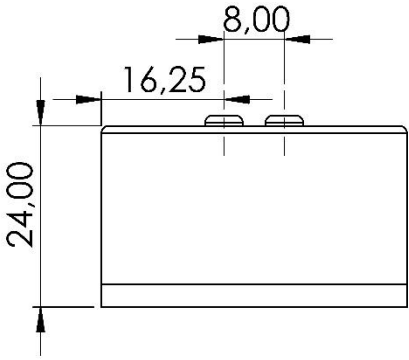
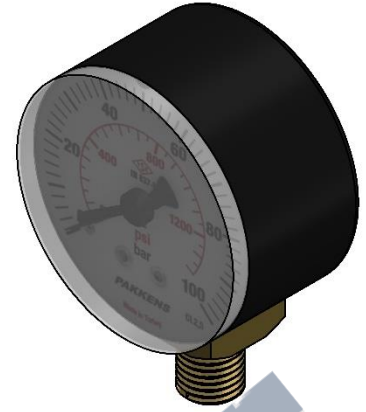
### **5. DIMENSIONS & TECHNICAL DRAWINGS**

Please see following page for detailed technical drawing.



**almar**  
foreign trade limited company

# PRESSURE GAUGE (0-100 BAR)



SECTION U-U

NOTE: ALL DIMENSIONS ARE GIVEN AS MILLIMETERS

DRAWING NO:	POS. NO. 5_3	PRODUCT NO: AL20-40054	DATASHEET: AL20-40054 Rev00	PAGE A4
DESIGNED BY: ALİ ARMAĞAN	CHEKED BY: ÇAĞLAR LATİFOĞLU	APPROVED BY: ERDİNÇ LATİFOĞLU	DATE: 16/09/2020	SCALE: 1:1
		PROJECT / PRODUKT: CHECK VALVE		
		WEIGHT: -	METARIAL: -	REVISION: Sept20-Rev00