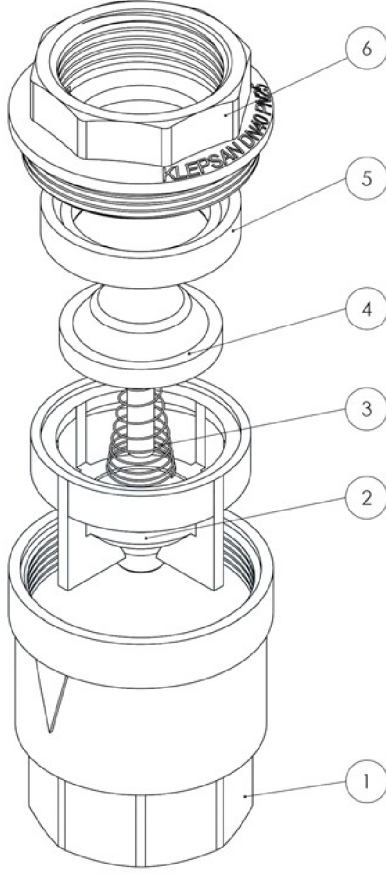


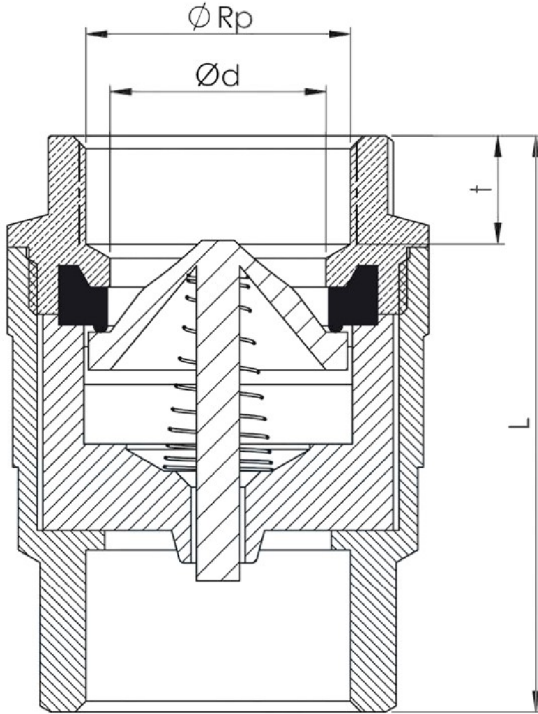
L.A.S. SPRING CHECK VALVE



THIS PRODUCT MAY SHOW DIFFERENCES DEPENDS TO THE PROJECT, YOUR PRODUCT MARKED WITH A RED PRODUCT

500	AL30-500-25	Spring Check Valve DN25/PN16
500	AL30-500-32	Spring Check Valve DN32/PN16
500	AL30-500-40	Spring Check Valve DN40/PN16
500	AL30-500-50	Spring Check Valve DN50/PN16


PARÇA NO / PART NUMBER.	PARÇA ADI / PART DESCRIPTION	MALZEME / MATERIAL	ADET / PCS.
1	Gövde (Body)	MS 58 Pirinç / Brass (CuZn39Pb2)	1
2	Kafes (Cage)	Derlin / Derlin	1
3	Yay (Spring)	Paslanmaz Çelik / Stainless Steel	1
4	Valf (Valve)	Derlin / Derlin	1
5	Conta (Gasket)	EPDM / Viton	1
6	Kapak (Lid)	MS 58 Pirinç / Brass (CuZn39Pb2)	1



ANMA ÖLÇÜSÜ NOMINAL SIZE (Rp)	Ød	t	L
1/2"	12	15	47
3/4"	17	16,5	57
1"	25	19,3	53
1 1/4"	30	21,5	70
1 1/2"	40	21,5	83
2"	45	26	92
2 1/2"	58	30,5	115
3"	70	33,5	125
4"	85	39,5	115



ALL DATA COMPILED FROM MANUFACTURER (KLEPSAN) DATASHEET

DRAWING NO:	POS. NO. -	PRODUCT NO: AL30-500	DATASHEET:	PAGE A4
DESIGNED BY: ALİ ARMAĞAN	CHEKED BY: ÇAĞLAR LATİFOĞLU	APPROVED BY: ERDİNÇ LATİFOĞLU	DATE: 23/10/2020	SCALE: 1:2
		PROJECT / PRODUCT: LOCAL APPLICATION SYSTEM FRESH WATER PUMP REMOTE CONTROL PANEL		
		WEIGHT: -	METARIAL: -	REVISION: DEC20-Rev00