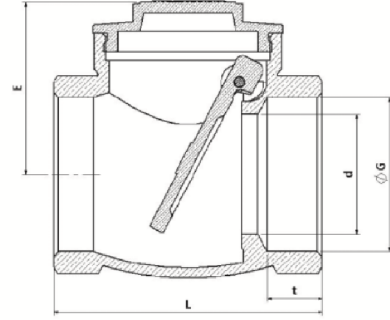


L.A.S. NON RETURN VALVE/SWING CHACK VALVE



NOMINAL SIZE	G (mm)	d (mm)	L (mm)	t (mm)
1/2" (Contalı)	15	15	50	11
3/4" (Contalı)	20	19	55	12
1" (Contalı)	25	24	60	13
1 1/4" (Contalı)	32	30	65	13
1 1/2"	40	38	78	15
2"	50	46	90	17
2 1/2"	65	58	112	18
3"	80	68	122	20
4"	100	90	150	20

PARÇA ADI	PART DESCRIPTION	MALZEME	MATERIAL
Gövde	Body	MS 58 Pirinç (CuZn39Pb2)	MS 58 Brass (CuZn39Pb2)
Dil	Tongue	MS 58 Pirinç (CuZn39Pb2)	MS 58 Brass (CuZn39Pb2)
Kapak	Lid	MS 58 Pirinç (CuZn39Pb2)	MS 58 Brass (CuZn39Pb2)
Conta	Gasket	EPDM (Viton)	EPDM (Viton)

- ISO 9001 Kalite Sistem Sertifikası. (ISO 9001 Quality System Management.) • Maksimum akışkanlık için tam geçiş. (Full Port for maximum flow.) • ISO 228 Dişi X Dişi bağlantı. (ISO 228 Female by Female thread.)
- Endüstriyel, Tesisat ve sulama sistemlerinde kullanılmak üzere geniş kullanım alanı. (Can be used in a wide range of industrial, plumbing and agricultural applications.)
- Sıcaklık -10°C + 90°C. (Temperature -10°C + 90°C)




Local application SWING CHECK VALVE, provides precaution for back flow. Assemble between water tank and water pump. Protects water pressurize pump for any back flow.

ALL DATA COMPILED FROM MANUFACTURER(KLEPSAN) DATASHEET

THIS PRODUCT MAY SHOW DIFFERENCE DEPENDS TO THE PROJECT, YOUR PRODUCT MARKED WITH A RED PRODUCT

514	AL30-514-25	Non return valve DN25/PN16
514	AL30-514-32	Non return valve DN25/PN16
514	AL30-514-40	Non return valve DN25/PN16
514	AL30-514-50	Non return valve DN25/PN16

DRAWING NO:	POS. NO. -	PRODUCT NO: AL30-514	DATASHEET: AL30-514Rev00	PAGE A4
DESIGNED BY: ALİ ARMAĞAN	CHEKED BY: ÇAĞLAR LATİFOĞLU	APPROVED BY: ERDİNÇ LATİFOĞLU	DATE: 23/10/2020	SCALE: 1:2
		PROJECT / PRODUCT: LOCAL APPLICATION SYSTEM SWING CHECK VALVVE		
WEIGHT: -		METARIAL: -	REVISION: DEC20-Rev00	SHEET 1