



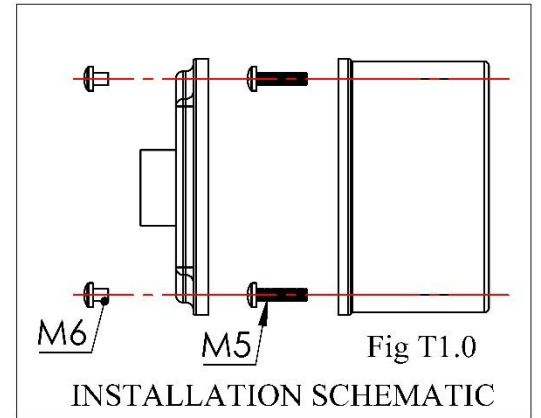
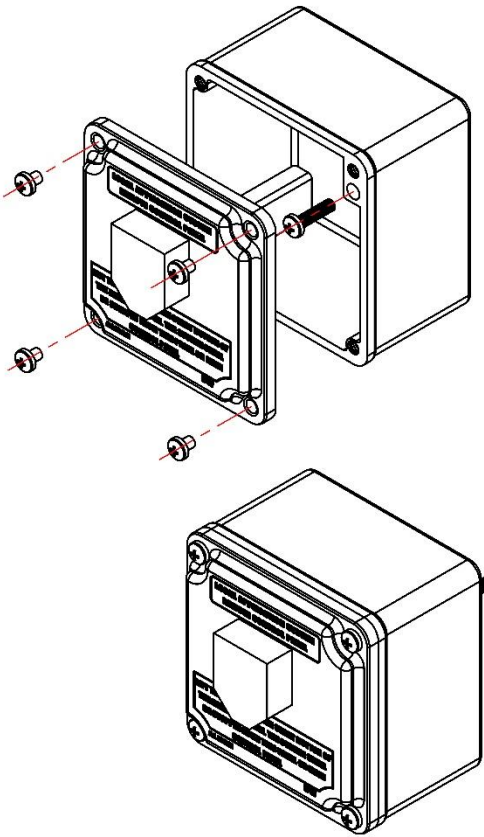
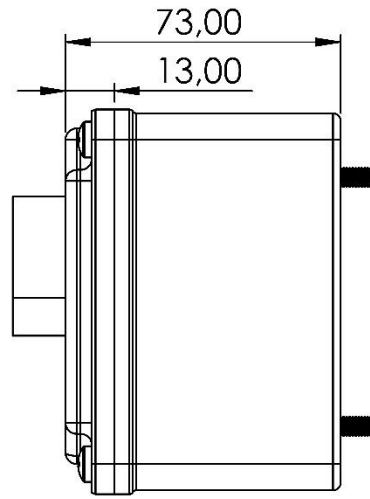
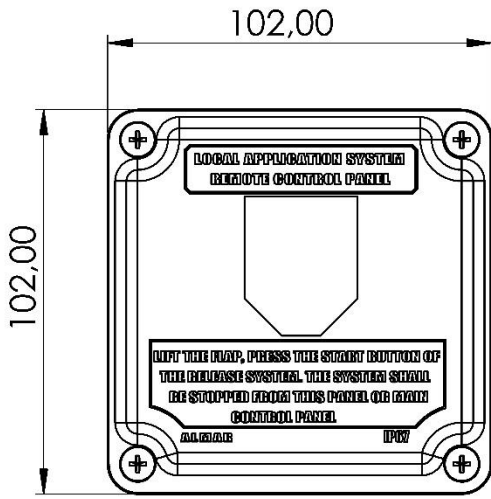
## GENERAL&APPLICATION

**Local application remote control panel**, Before installation, open front panel of remote control box as shown as Fig T1.0 INSTALLATION SCHEMATIC, use M6 screw for install panel to the wall, assemble front panel to the box with M5 screw.

**Local application remote control panel**, provides access to the local application system. Must use by authorized personnel. This panel activates system manually, button has 2 stage first press activates system, second press deactivates system.



# L.A.S. MANUAL REMOTE CONTROL PANEL



**Local application remote control panel**, Before installation, open front panel of remote control box as shown as Fig T1.0 INSTALLATION SCHEMATIC, use M6 screw for install panel to the wall, assemble front panel to the box with M5 screw.

**Local application remote control panel**, provides access to the local application system. Must use by authorized personnel. This panel activates system manually, button has 2 stage first press activates system, second press deactivates system.

NOTE: ALL DIMENSIONS ARE GIVEN AS MILLIMETERS

DRAWING NO:	POS. NO. -	PRODUCT NO: AL30-504	DATASHEET: AL30-504Rev00	PAGE A4
DESIGNED BY: ALİ ARMAĞAN	CHEKED BY: ÇAĞLAR LATİFOĞLU	APPROVED BY: ERDİNÇ LATİFOĞLU	DATE: 23/10/2020	SCALE: 1:2



PROJECT / PRODUCT: LOCAL APPLICATION SYSTEM MANUAL REMOTE CONTROL PANEL			
WEIGHT: -	MATERIAL: -	REVISION: DEC20-Rev00	SHEET 1