



1. APPLICATION

In emergency, system activates audible and visual alarm alarm.

2. INSTALLATION

The AL30-509 audible and visual alarm must be located in accordance with the general arrangement drawingS.

Please see your drawings and install device properly.

Device has installation base on it. Turn device on the clock wise and spare the installation base.

Install base to the proper area as seen as shown project drawings by using screw holes. Put alarm to the base and turn alarm counter clockwise.



3. TECHNICAL PROPERTIES

For technical details please see table 3.1.

SOUND OUTPUT	12V dc: 103dB(A) 24Vdc: 101dB(a)
VOLUME CONTROL	10db(A)
ALARM TONES	32
SOUNDER CURRENT	12VDC: 110mA 24Vdc68mA
LIGHT OUTPUT	0.7J Xenon bulb
FLASH RATE	1 Hz
IP RATING	Ip54 (shallow) IP65(deep)
UNIT WEIGHT	0.33kg
TEMPERATURE RANGE	-10° C to +55° C
IP RATING	Ip54 (shallow) IP65(deep base)
BODY METARIAL	ABS, Polycarbonate lens
VOLTAGE	9-15Vdc (12Vdc version)
UNIT COLOR	RED/WHITE

Table 3.1, technical properties

4. MAINTANANCE

If any Audible alarm is found to be in a poor condition, (damaged, etc.), please contact manufacturer.

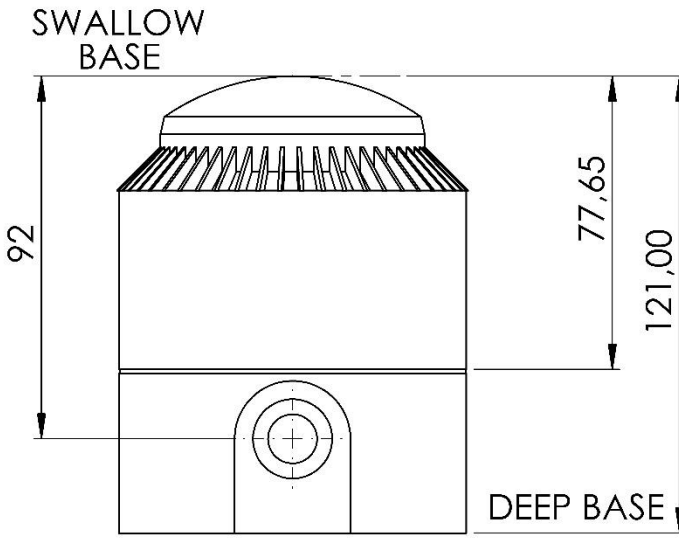
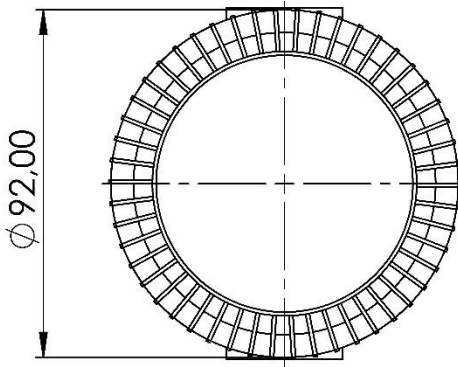
Annual inspections, it is recommended that this is performed by persons specially trained in the maintenance of such systems, e.g. manufacturer or recognised service company.

Full maintenance should be performed by persons specially trained in the maintenance of such systems, e.g. manufacturer or recognised service company.

5. DIMENSIONS & TECHNICAL DRAWINGS

Please see following pages for detaile dimensions and technical drawings.

AUDIBLE AND VISUAL ALARM



NOTE: ALL DIMENSIONS ARE GIVEN AS MILLIMETERS

DRAWING NO:	POS. NO.	PROUDUCT NO: AL30-509	DATASHEET: AL30-509REV00	PAGE: A4
DESIGNED BY: ALI ARMAĞAN	CHEKED BY: ÇAĞLAR LATİFOĞLU	APPROVED BY: ERDİNÇ LATİFOĞLU	DATE: 17.12.2020	SCALE: 1:2
		PROJECT / PROUDUCT: AUDIBLE AND VISUAL ALARM LOCAL APPLICATION SYSTEM		
		WEIGHT: -	METARIAL: -	REVISION: Sep20-Rev00