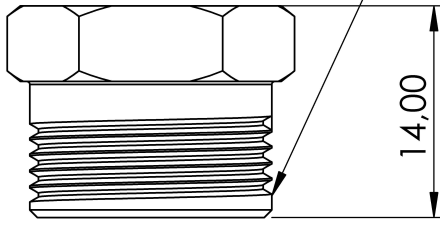
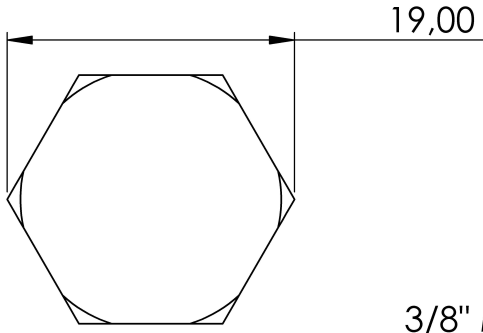
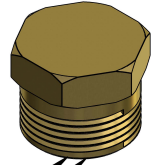


# AUTOMATIC VALVE PLUG 3/8"

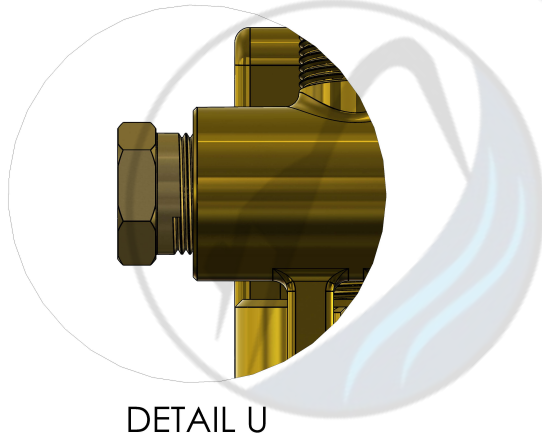


3/8" MALE

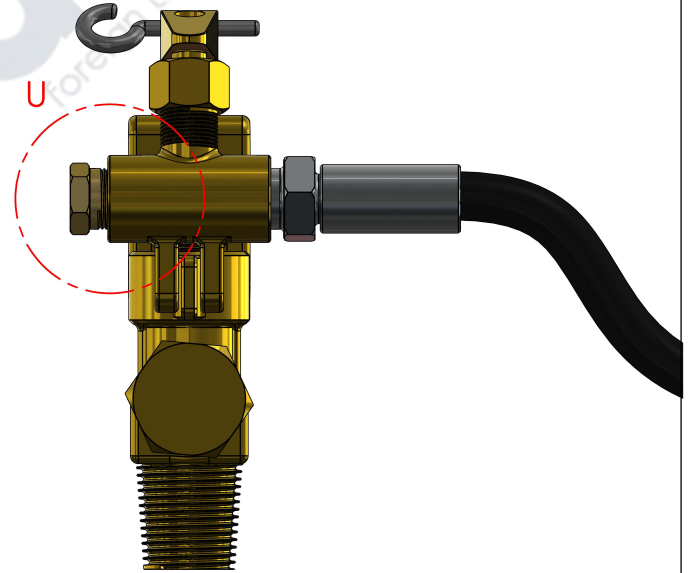
POS.NO.4\_1  
PLUG 3/8"



## INSTALLATION




DETAIL U



PLUG 3/8" USE FOR BLIND TO THE SYSTEM. WHEN MORE THAN ONE CYLINDERS MAKES GROUP, THE LAST CYLINDER'S VALVE BLINDED WITH PLUG 3/8" AS SHOWN AS DETAIL U.

NOTE: ALL DIMENSIONS ARE GIVEN AS MILLIMETERS

DRAWING NO:	POS. NO. 4_1	PROUDUCT NO: AL20-40086	DATASHEET: AL20-40086Rev00	PAGE A4
DESIGNED BY: ALİ ARMAĞAN	CHEKED BY: ÇAĞLAR LATİFOĞLU	APPROVED BY: ERDİNÇ LATİFOĞLU	DATE: 27/10/2020	SCALE: 1:3
 <b>almar</b> foreign trade limited company		PROJECT / PROODUCT: 3/8" PLUG FOR CO2 CYLINDERS		
		WEIGHT: -	METARIAL: -	REVISION: DEC20-Rev00