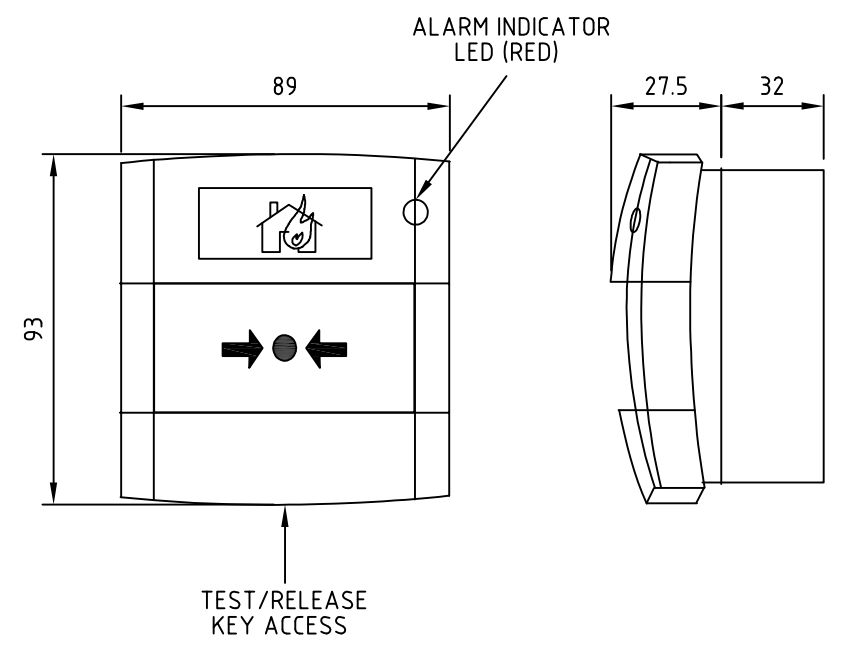
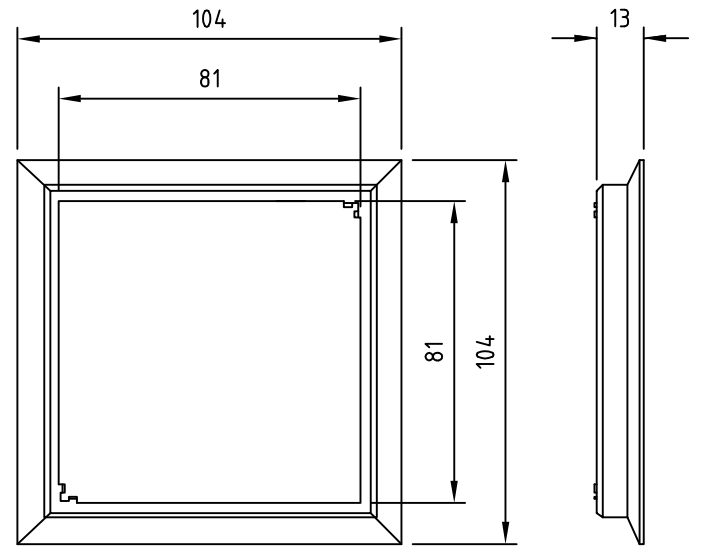
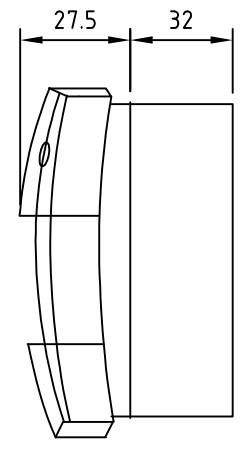


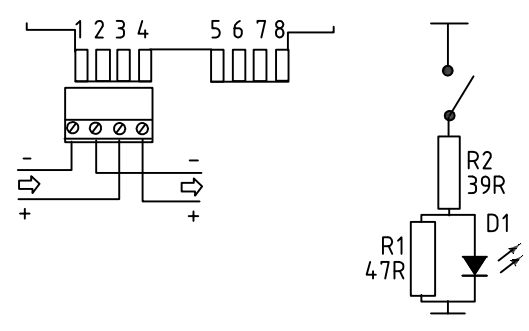
A
B
C
D
E
F
G
H
I
J



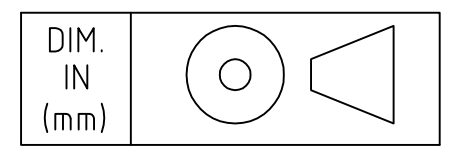
CALLPOINT



BEZEL



MCP250M WIRING DIAGRAM



ELECTRICAL CHARACTERISTICS

CONTACT RATING: 2A @ 30VDC MAX
EMC: EN50130-4
EN61000-6-3

NOTES

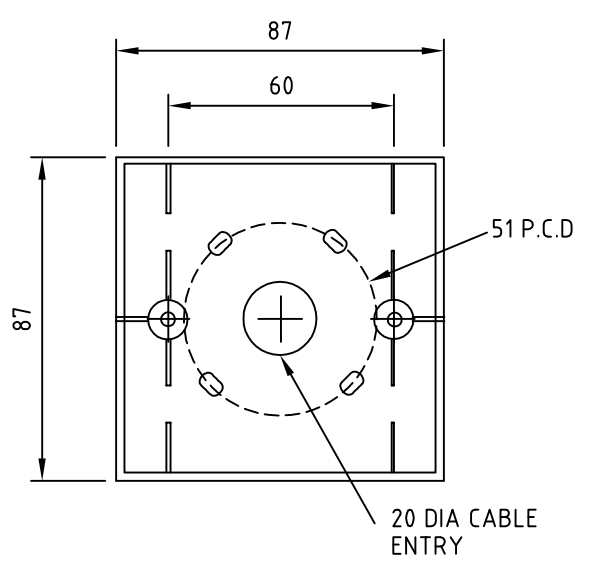
MATERIAL
MAIN BODY: PC/ABS
BEZEL: THERMOPLASTIC 1.5mm THICK
HINGED COVER: POLYCARBONATE
COLOUR: RED
MAIN BODY: IP24D
BEZEL (OPTIONAL): BLACK

OPERATING TEMPERATURE: -10°C TO +55°C

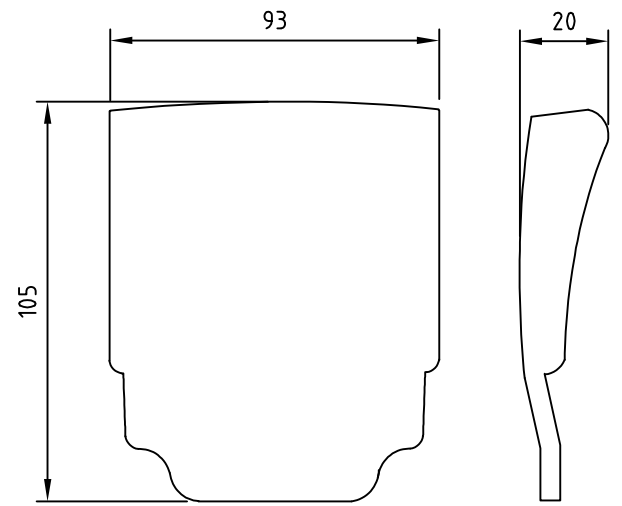
| ITEM | STOCKCODE No. | WEIGHT |
|---------------------|---------------|---------|
| MCP250M CALLPOINT: | 514.001.113 | 0.098KG |
| BEZEL: | 515.001.026 | 0.1kg |
| BACKBOX: | 515.001.021 | 0.1kg |
| HINGED COVER: | 515.001.128 | 0.024kg |
| SPARE GLASS (PK 5): | 515.001.119 | 0.1kg |

NOTE: THE FIXING SCREWS MUST NOT BE OVER TIGHTENED

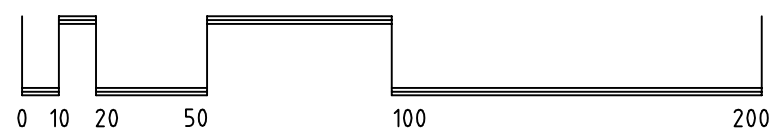
THIS CALLPOINT CAUSES A 'FIRE ALARM' RESPONSE
I.E. BOTH OF THE FIRE ALARM CONTROL PANELS SOUNDER CIRCUITS
OPERATE INSTANTLY



BACK BOX



TRANSPARENT HINGED COVER



SCALE 1:2

| REV. | DESCRIPTION | TASK | DATE | DRAWN |
|------|-------------------------------------|------|------------|-------|
| 2 | RESISTOR VALUES ADDED | 6275 | 24.02.10 | JCS |
| 1 | 'ALARM' SOUNDER RESPONSE NOTE ADDED | 6105 | 17.07.08 | JCS |
| 0 | NEW DRAWING | 5566 | 20/04/2007 | JCS |

| | | | | | |
|-----------------|---------------------------------|---|------------------------|-------------|--------|
| | | <p>CONFIDENTIALITY NOTICE :- THIS DOCUMENT (INCLUDING ALL INFORMATION CONTAINED THEREIN) IS OWNED BY TYCO & MUST BE KEPT IN CONFIDENCE & USED SOLELY FOR THE OWNER'S SPECIFIED PURPOSES. THIS DOCUMENT MUST NOT BE COPIED OR REPRODUCED, NOR DIVULGED, IN WHOLE OR PART, WITHOUT THE OWNER'S PRIOR WRITTEN CONSENT.</p> | | | |
| DRN. JCS | CLIENT STANDARD DRAWING | | | | |
| DATE 20/04/2007 | PROJECT STANDARD DRAWING | | | | |
| CHKD. RDS | TITLE FIRE ALARM | | | | |
| DATE 26/02/2010 | MCP250M MARINE INDOOR CALLPOINT | | | | |
| APPR. GAD | OUTLINE / CONNECTION DRAWING | | | | |
| DATE 26/02/2010 | SIZE A3 | SCALE 1:2 | DRAWING No. MNSTD-0276 | SHT. 1 OF 1 | REV. 2 |